

# AcuPanel 9106X

Pre-Wired Power & Energy Panel  
Meter Datasheet



## DESCRIPTION

The AcuPanel 9106X is a convenient, pre-configured meter enclosure that delivers streamlined meter deployment in OEM or retrofit projects. It is ideal for when installation inside an electrical distribution panel is unavailable, in harsh environments to safeguard instrumentation against the elements, or to limit the time and complexity of installation. Each AcuPanel undergoes rigorous quality testing to ensure years of dependable service.

## FEATURES

- + The NEMA 4X rated polycarbonate enclosure is suitable for both indoor and outdoor use
- + The lockable, plug-and-play housing provides protection against unwanted tampering and the elements
- + Clean, factory pre-wiring for fast, reliable installation. Includes all necessary fuses.
- + Required components are all pre-installed and clearly labeled
- + Self-powered panel does not require a separate power supply
- + Enclosure can be drilled for custom conduit connections to suit any application
- + Simple grounding is included inside each enclosure
- + No control transformer needed
- + Compatible with the AcuRev 2100 Series multi-circuit submeter

# ACUPANEL SPECIFICATIONS

## AcuPanel 9106X



AcuRev 2100

Compatible Meters	
Application	Indoor or outdoor installations that require exceptional environmental protection and weather resistance
Safety Certifications	UL508A, UL61010-1
NEMA Rating	NEMA 4X
Material	Polycarbonate
Anti-Corrosive	•
Dust Proof	•
Suitable for Indoor Use	•
Suitable for Outdoor Use	•
Pre-Wired	•
Pre-Configured	•

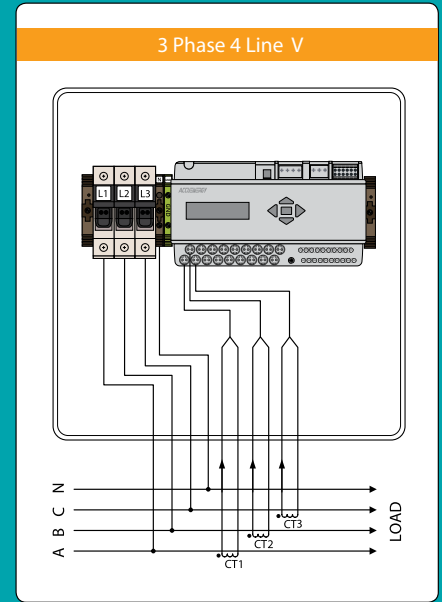
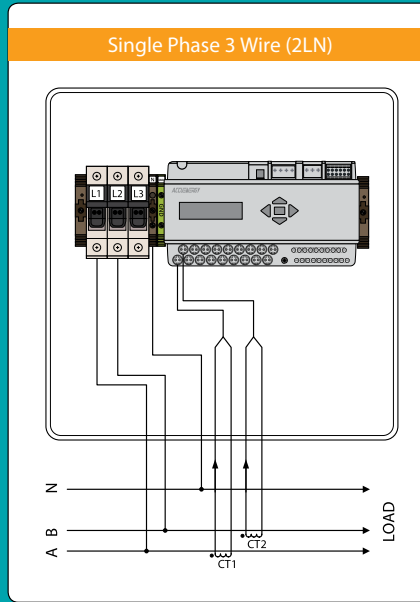
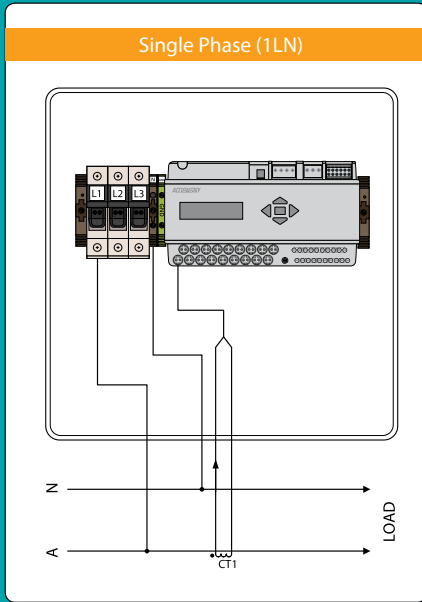


### EACH STANDARD, PRE-WIRED ENCLOSURE INCLUDES:

- + Terminal blocks for voltage inputs
- + Three industrial-grade fuses

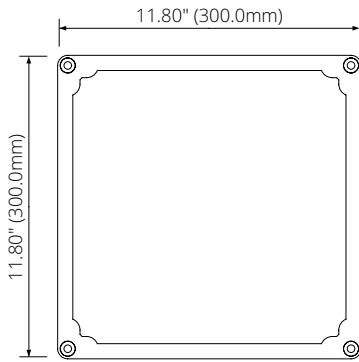
# WIRING DIAGRAMS

9106X

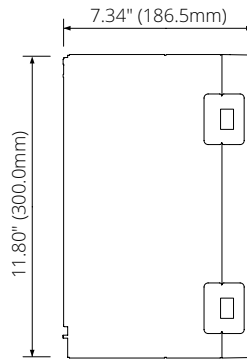


## DIMENSIONS

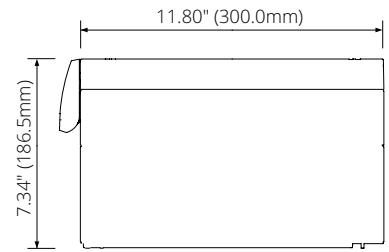
AcuPanel 9106X Polycarbonate Panel



Front View



Side View



Bottom View

## CUSTOM OEM SOLUTIONS

Partner with Accuenergy to design a custom, OEM panel to suit any metering application.

- + Showcase your logo with custom branding
- + Adapt the panel to your application with specialized OEM components such as gateways, cellular modems, or power supplies
- + Suit your space or equipment needs with custom panel dimensions
- + Contact our energy metering specialists to help customize a panel solution for any unique application



## ORDERING INFORMATION

### AcuRev 2100 Pre-Wired Panel

+ Pre-Wired Panel	- Current Input	- Communication	- Control Power
<b>AcuPanel 9106X-2110:</b> NEMA 4X Indoor /Outdoor Waterproof Polycarbonate Panel	<b>mV:</b> 333mV CT or Rogowski Coil Input	<b>WEB2:</b> RS485 + Dual RJ45 + WiFi	<b>P1:</b> 100-415Vac, 100-300Vdc
	<b>mA:</b> 80mA or 100mA	<b>485:</b> RS485	<b>P3:</b> 480Vac
			<b>P4:</b> 600Vac
<b>Ordering Example:    AcuPanel 9106X-2110-mV-WEB2-P3</b>			



### Accuenergy Inc.

Los Angeles - Toronto - Pretoria  
 North America Toll Free: 1-877-721-8908  
 Web: [www.accuenergy.com](http://www.accuenergy.com)  
 Email: [marketing@accuenergy.com](mailto:marketing@accuenergy.com)

Revision Date: August 2023 Version: 1.0.1  
 Specs Subject To Change Without Notice.



ISO9001 Certified