

ACCUEVERGY

AcuCT Hinged Series

Compact Split-Core Current Transformer



D A T A S H E E T

AcuCT Hinged Series

AcuCT-H040

Compact Split-Core Current Transformer Datasheet



Featuring an ultra-compact design with a convenient, hinged opening, the AcuCT Hinged split-core current transformers are high-accuracy sensors that are ideally-suited for branch circuit monitoring in crowded electrical panels. The installer-friendly, hinged design facilitates fast installation without cable or wire disconnection.

Features

- High accuracy: 0.5% from 10%-120% of rated current
- Features an inherently-safe, 333mV output
- Quick installation thanks to hinged Split-Core design
- Compact design is ideal for electrical panels with limited space
- UL Recognized



Accuenergy Inc.

Los Angeles - Toronto - Pretoria
 North America Toll Free: 1-877-721-8908
 Web: www.accuenergy.com
 Email: marketing@accuenergy.com

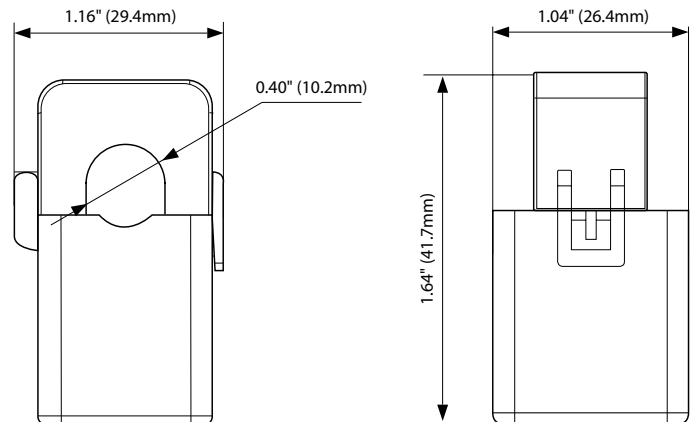
Revision Date: August 2023 Version: 1.0.3
 Specs Subject To Change Without Notice.



Specifications

RATED CURRENT	
Current Range	10% - 120% of rated current
Output	333mV
Accuracy	0.5%
MECHANICAL/ENVIRONMENTAL	
Form Factor	Hinged Split-Core CT
Window Size	10.2mm (0.40")
Exterior Dimensions	29.4mm x 26.4mm x 41.7mm 1.16" x 1.04" x 1.64"
Case Material	Black Nylon, UL 94V-0
Lead Wires	2.5m (8ft) twisted pair, 26AWG
Operating Temperature	-25°C to 70°C / -13°F to 158°F
Operating Humidity	Non-condensing, 0 to 95% RH
Installation Conditions	Indoor Use
ELECTRICAL	
Wire Polarity	White=Positive, Black=Negative
Phase Orientation	Arrow Points Towards Load
Frequency Range	50-1KHz (50-400Hz)
Output Resistance (Voltage Output)@333mV; burden@5A	20A: 33.3Ω / 30A: 33.3Ω / 40A: 25Ω / 50A: 20Ω / 60A: 16.66Ω
SAFETY/COMPLIANCE	
Withstand Voltage	3.0kV/1mA/1min
Rated Voltage	600VAC
Certifications	CE, RoHS, cURus (E359521)

Dimensions



Ordering Information

Ordering Number	Rated Input	Rated Output
AcuCT- H040 -		: :333
Ordering Example	20	: :333
	5: 5A	
	20: 20A	
	30: 30A	
	40: 40A	
	50: 50A	
	60: 60A	

AcuCT Hinged Series

AcuCT-H063

Compact Split-Core Current Transformer Datasheet



Featuring an ultra-compact design with a convenient, hinged opening, the AcuCT Hinged split-core current transformers are high-accuracy sensors that are ideally-suited for branch circuit monitoring in crowded electrical panels. The installer-friendly, hinged design facilitates fast installation without cable or wire disconnection.

Features

- High accuracy: 0.5% from 10%-120% of rated current
- Features an inherently-safe, 333mV output
- Quick installation thanks to hinged Split-Core design
- Compact design is ideal for electrical panels with limited space
- UL Recognized



Accuenergy Inc.

Los Angeles - Toronto - Pretoria
 North America Toll Free: 1-877-721-8908
 Web: www.accuenergy.com
 Email: marketing@accuenergy.com



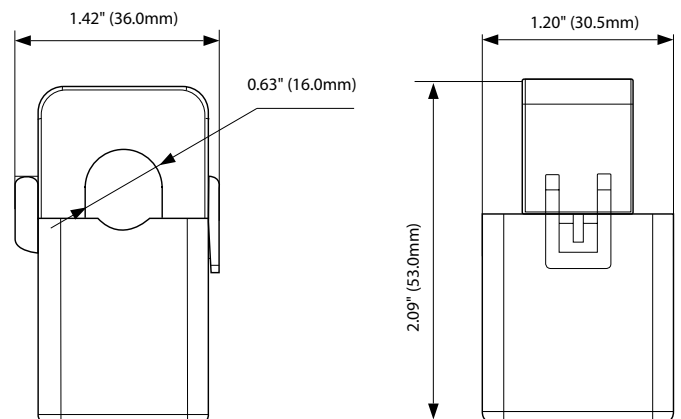
Revision Date: August 2023 Version: 1.0.3
 Specs Subject To Change Without Notice.



Specifications

RATED CURRENT	
Current Range	50A, 100A, 150A
Output	10% - 120% of rated current
Accuracy	333mV
	0.5%
MECHANICAL/ENVIRONMENTAL	
Form Factor	Hinged Split-Core CT
Window Size	16.0mm (0.63")
Exterior Dimensions	36.0mm x 30.5mm x 53.0mm 1.42" x 1.20" x 2.09"
Case Material	Black Nylon, UL 94V-0
Lead Wires	2.5m (8ft) twisted pair, 26AWG
Operating Temperature	-25°C to 70°C / -13°F to 158°F
Operating Humidity	Non-condensing, 0 to 95% RH
Installation Conditions	Indoor Use
ELECTRICAL	
Wire Polarity	White=Positive, Black=Negative
Phase Orientation	Arrow Points Towards Load
Frequency Range	50-1KHz (50-400Hz)
Output Resistance (Voltage Output)@333mV; burden@5A	50A: 20Ω / 100A: 10Ω / 150A: 6.66Ω
SAFETY/COMPLIANCE	
Withstand Voltage	3.0KV/1mA/1min
Rated Voltage	600VAC
Certifications	CE, RoHS, cURus (E359521)

Dimensions



Ordering Information

Ordering Number	Rated Input	Rated Output
AcuCT- H063	-	: :333
Ordering Example	AcuCT- H063 - 50	: :333
	50: 50A	
	100: 100A	
	150: 150A	

AcuCT Hinged Series

AcuCT-H100

Compact Split-Core Current Transformer Datasheet



Featuring an ultra-compact design with a convenient, hinged opening, the AcuCT Hinged split-core current transformers are high-accuracy sensors that are ideally-suited for branch circuit monitoring in crowded electrical panels. The installer-friendly, hinged design facilitates fast installation without cable or wire disconnection.

Features

- High accuracy: 0.5% from 10%-120% of rated current
- Features an inherently-safe, 333mV output
- Quick installation thanks to hinged Split-Core design
- Compact design is ideal for electrical panels with limited space
- UL Recognized



Accuenergy Inc.

Los Angeles - Toronto - Pretoria
 North America Toll Free: 1-877-721-8908
 Web: www.accuenergy.com
 Email: marketing@accuenergy.com

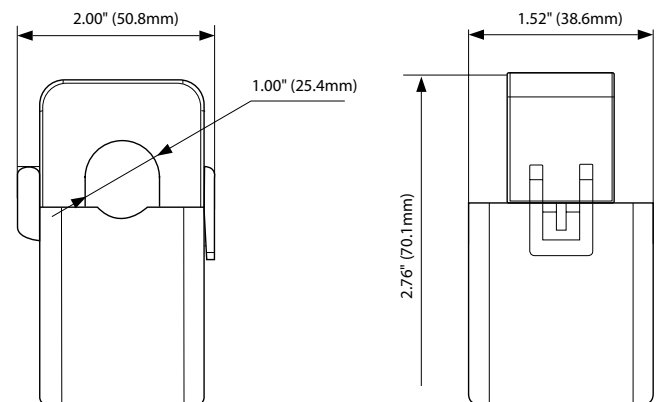
Revision Date: August 2023 Version: 1.0.3
 Specs Subject To Change Without Notice.



Specifications

RATED CURRENT	
Current Range	100A, 120A, 200A, 250A
Output	10% - 120% of rated current
Accuracy	333mV
	0.5%
MECHANICAL/ENVIRONMENTAL	
Form Factor	Hinged Split-Core CT
Window Size	25.4mm (1.00")
Exterior Dimensions	50.8mm x 38.6mm x 70.1mm 2.00" x 1.52" x 2.76"
Case Material	Black Nylon, UL 94V-0
Lead Wires	2.5m (8ft) twisted pair, 26AWG
Operating Temperature	-25°C to 70°C / -13°F to 158°F
Operating Humidity	Non-condensing, 0 to 95% RH
Installation Conditions	Indoor Use
ELECTRICAL	
Wire Polarity	White=Positive, Black=Negative
Phase Orientation	Arrow Points Towards Load
Frequency Range	50-1KHz (50-400Hz)
Output Resistance (Voltage Output)@333mV; burden@5A	100A: 10Ω / 120A: 8.33Ω / 200A: 5Ω / 250A: 4Ω
SAFETY/COMPLIANCE	
Withstand Voltage	3.0KV/1mA/1min
Rated Voltage	600VAC
Certifications	CE, RoHS, cURus (E359521)

Dimensions



Ordering Information

		Rated Input	Rated Output
Ordering Number	AcuCT- H100	-	: :333
Ordering Example	AcuCT- H100	- 120	: :333
		100: 100A	
		120: 120A	
		200: 200A	
		250: 250A	

AcuCT Hinged Series

AcuCT-H138

Compact Split-Core Current Transformer Datasheet



Featuring an ultra-compact design with a convenient, hinged opening, the AcuCT Hinged split-core current transformers are high-accuracy sensors that are ideally-suited for branch circuit monitoring in crowded electrical panels. The installer-friendly, hinged design facilitates fast installation without cable or wire disconnection.

Features

- High accuracy: 0.5% from 10%-120% of rated current
- Features an inherently-safe, 333mV output
- Quick installation thanks to hinged Split-Core design
- Compact design is ideal for electrical panels with limited space
- UL Recognized



Accuenergy Inc.

Los Angeles - Toronto - Pretoria
 North America Toll Free: 1-877-721-8908
 Web: www.accuenergy.com
 Email: marketing@accuenergy.com

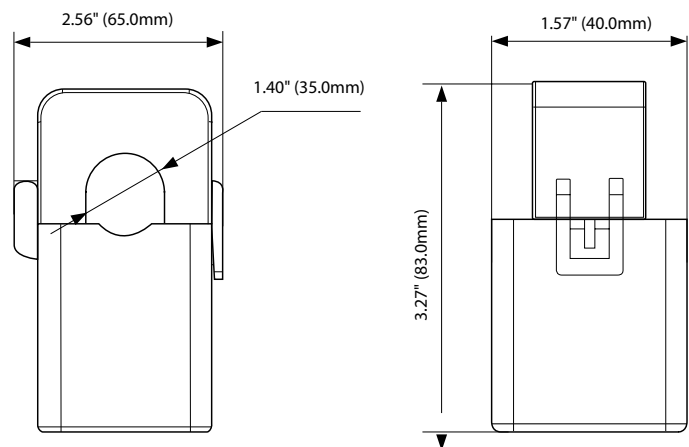
Revision Date: August 2023 Version: 1.0.3
 Specs Subject To Change Without Notice.



Specifications

RATED CURRENT	
Current Range	10% - 120% of rated current
Output	333mV
Accuracy	0.5%
MECHANICAL/ENVIRONMENTAL	
Form Factor	Hinged Split-Core CT
Window Size	35.0mm (1.40")
Exterior Dimensions	65.00mm x 40.00mm x 83.00mm 2.56" x 1.57" x 3.27"
Case Material	Black Nylon, UL 94V-0
Lead Wires	2.5m (8ft) twisted pair, 26AWG
Operating Temperature	-25°C to 70°C / -13°F to 158°F
Operating Humidity	Non-condensing, 0 to 95% RH
Installation Conditions	Indoor Use
ELECTRICAL	
Wire Polarity	White=Positive, Black=Negative
Phase Orientation	Arrow Points Towards Load
Frequency Range	50-1KHz (50-400Hz)
Output Resistance (Voltage Output)@333mV; burden@5A	200A: 5Ω / 400A: 5Ω / 600A: 3.33Ω
SAFETY/COMPLIANCE	
Withstand Voltage	3.0KV/1mA/1min
Rated Voltage	600VAC
Certifications	CE, RoHS, cURus (E359521)

Dimensions



Ordering Information

Ordering Number	Rated Input	Rated Output
AcuCT- H138	-	: :333
Ordering Example	AcuCT- H138 - 200	: :333
	200: 200A	
	400: 400A	
	600: 600A	