

# AcuCT-S113 Series

5A Solid-Core Current Transformer Datasheet



The superior choice for product integrations, the solid-core AcuCT S113 features three output options in a compact, durable form factor. UL2808 Listed for safety, this cost effective current transformer will provide accurate, dependable measurements across industrial, commercial, or in general energy monitoring applications.

## Features

- Accuracy class: 1%
- Three current input options: 200A, 300A, or 400A
- Choose from three output options: 1A, 5A, or 333mV
- Solid-Core design provides reliable performance in challenging applications
- UL2808 Listed



## Accuenergy Inc.

Los Angeles - Toronto - Pretoria  
 North America Toll Free: 1-877-721-8908  
 Web: [www.accuenergy.com](http://www.accuenergy.com)  
 Email: [marketing@accuenergy.com](mailto:marketing@accuenergy.com)

Revision Date: February 2024 Version: 1.0.4  
 Specs Subject To Change Without Notice.



## Specifications

RATED CURRENT	
Current Range	5-120% of rated current RMS
Output	1A, 5A, 333mV
Ratio Error	≤±1.0%
Phase Error	≤ 30'@333V□60'@1A, 5A
Accuracy	1.0%

## MECHANICAL/ENVIRONMENTAL

Form Factor	Solid-Core CT
Window Size	30.0mm (1.20")
Exterior Dimensions	60.5mm x 68.0mm x 24.5mm 2.38" x 2.68" x 0.96"
Case Material	UL 94V-0
Lead Wire	2m (6.5ft), 18AWG UL1015
Weight	177.00g (6.24oz)
Operating Temperature	-25°C to 70°C / -13°F to 158°F
Storage Temperature	-40°C to 80°C / -40°F to 176°F
Operating Humidity	<90% RH
Installation Conditions	Indoor Use

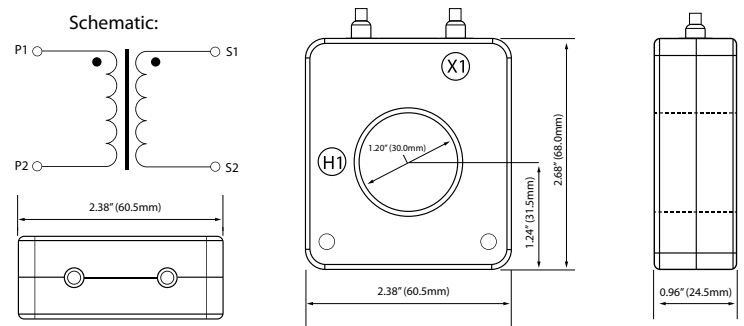
## ELECTRICAL

Wire Polarity	White=Positive, Black=Negative
Phase Orientation	H1 points towards source
Frequency Range	50/60Hz
Burden	≤3.75VA
RF	1.2 In
Insulation Resistance	500V/100MΩ min

## SAFETY/COMPLIANCE

Rated Voltage	600VAC, Rated CAT III
Certifications	CE, RoHS, UL Listed UL2808 (E469633)

## Dimensions



## Ordering Information

	Model	Rated Input	Rated Output
Ordering Number	-	-	:
Ordering Example	AcuCT-S113	- 200	: 5A
		200: 200A	1A
		300: 300A	5A
		400: 400A	333mV