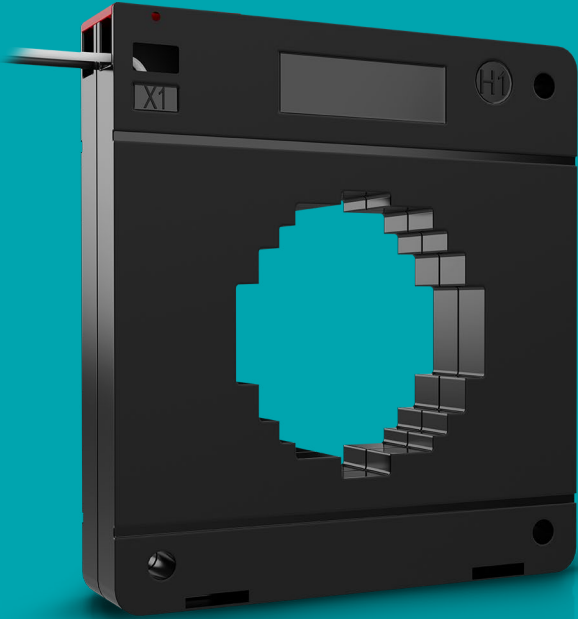


AcuCT-S220 Series

Switchgear Solid-Core Current Transformer



High precision solid-core current transformer for permanent installations. The AcuCT S220 features multiple input and output options in a small compact form factor. UL2808 pending for safety, it provides consistent, reliable measurements across industrial and commercial for general metering or switchgear applications.

Features

- Accuracy class: 0.5, 0.5S, 0.2 optional
- Current input options: 300A, 500A, 600A, 800A, 1000A, 1200A, 1500A
- Choose from three output options: 1A, 5A, or 333mV

Specifications

RATED CURRENT	300A, 500A, 600A, 800A, 1000A, 1200A, 1500A
Current Range	5%-120% of rated current
Output	5A, 1A, 333mV
Ratio Error	≤±0.5%
Phase Error	≤±30'
Accuracy	IEC 61869-2 0.5, 0.5S, 0.2 optional

MECHANICAL/ENVIRONMENTAL

Form Factor	Solid-Core CT
Window Size	Ø 57.0 mm (2.24")
Exterior Dimensions	115.0mm x 125.0mm x 32.0mm 4.53" x 4.92" x 1.26"
Case Material	Epoxy encapsulated housing
Lead Wires	2.5m (8ft), Twisted Pair, 16/18AWG
Operating Temperature	-25°C to 70°C / -13°F to 158°F
Storage Temperature	-40°C to 80°C / -40°F to 176°F
Operating Humidity	<90% RH
Installation Conditions	Indoor Use

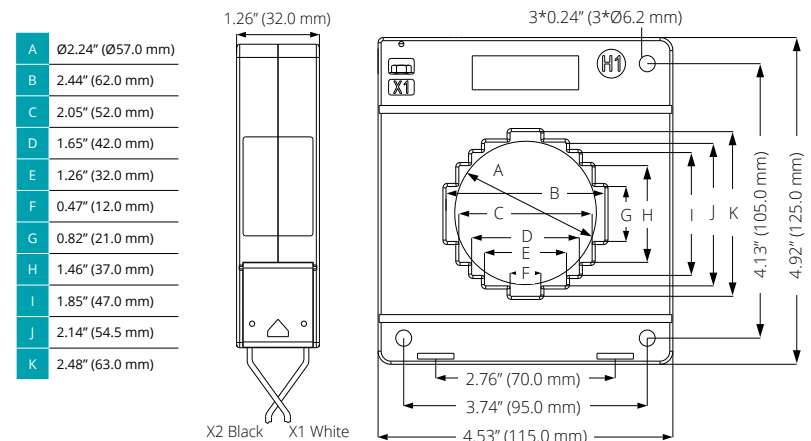
ELECTRICAL

Wire Polarity	White=Positive, Black=Negative
Phase Orientation	H1 points towards source
Frequency Range	50-60Hz
Burden	2.5-10VA
Withstand Voltage	3,000Vac
Insulation Resistance	500V/100MΩ min

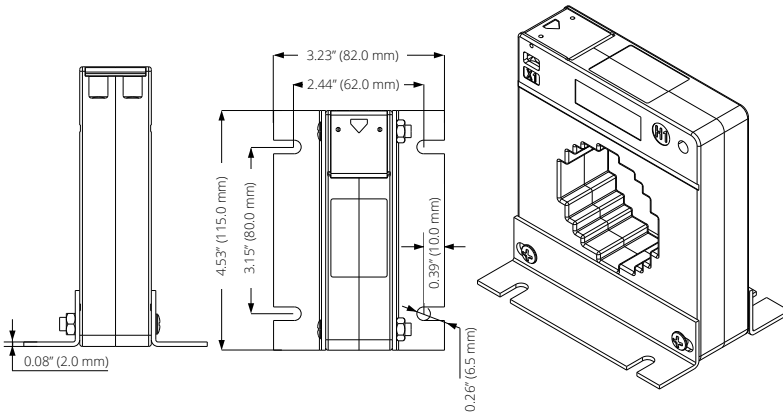
SAFETY/COMPLIANCE

Rated Voltage	600VAC, Rated CAT III
Certifications	UL, CE Pending & RoHS Compliant

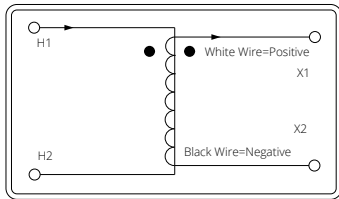
Dimensions



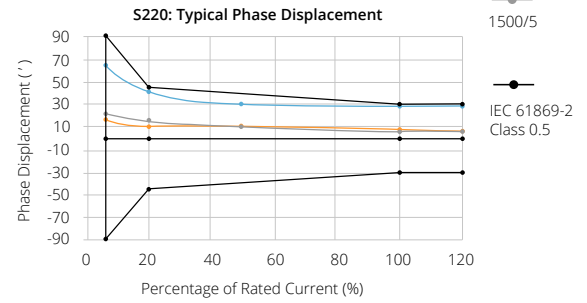
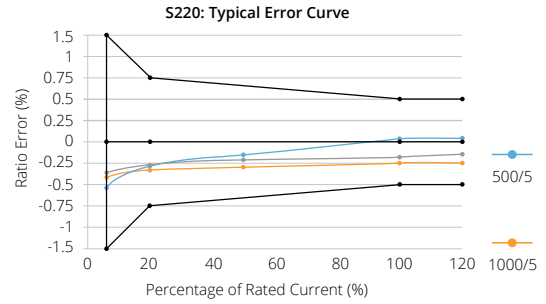
Mounting Dimension



Installation Instructions



Accuracy Class 0.5



Typical Parameter

MODEL	CURRENT RATIO	ACCURACY				LEAD LENGTH
		1.0	0.5	0.5S	0.2	
AcuCT-S220-300: 5	300/5	2.5VA				2.5M
AcuCT-S220-500: 5	500/5	3.75VA	2.5VA			2.5M
AcuCT-S220-600: 5	600/5	5VA	2.5VA	2.5VA		2.5M
AcuCT-S220-800: 5	800/5	5VA	3.75VA	2.5VA	2.5VA	2.5M
AcuCT-S220-1000: 5	1000/5	7.5VA	5VA	5VA	3.75VA	2.5M
AcuCT-S220-1200: 5	1200/5	10VA	5VA	5VA	5VA	2.5M
AcuCT-S220-1500: 5	1500/5	10VA	7.5VA	7.5VA	5VA	2.5M
AcuCT-S220-300: 1	300/1	1VA				2.5M
AcuCT-S220-500: 1	500/1	1.5VA	1VA	1VA		2.5M
AcuCT-S220-600: 1	600/1	1.5VA	1VA	1VA		2.5M
AcuCT-S220-800: 1	800/1	2.5VA	1.5VA	1.5VA	1VA	2.5M
AcuCT-S220-1000: 1	1000/1	2.5VA	2.5VA	2.5VA	1.5VA	2.5M
AcuCT-S220-1200: 1	1200/1	3.75VA	2.5VA	2.5VA	1.5VA	2.5M
AcuCT-S220-1500: 1	1500/1	3.75VA	3.75VA	3.75VA	2.5VA	2.5M

The values in the table are the additional burden values containing 2.5 meters of leads.

Ordering Information

	Model	Rated Input	Rated Output
Ordering Number	-	-	:
Ordering Example	AcuCT-S220	- 500	: 333
		300: 300A	5: 5A
		500: 500A	1: 1A
		600: 600A	333:333mV
		800: 800A	
		1000: 1000A	
		1200: 1200A	
		1500: 1500A	



Accuenergy Inc.

Los Angeles - Toronto - Pretoria
 North America Toll Free: 1-877-721-8908
 Web: www.accuenergy.com
 Email: marketing@accuenergy.com

Revision Date: February 2024 Version: 1.0.2
 Specs Subject To Change Without Notice.