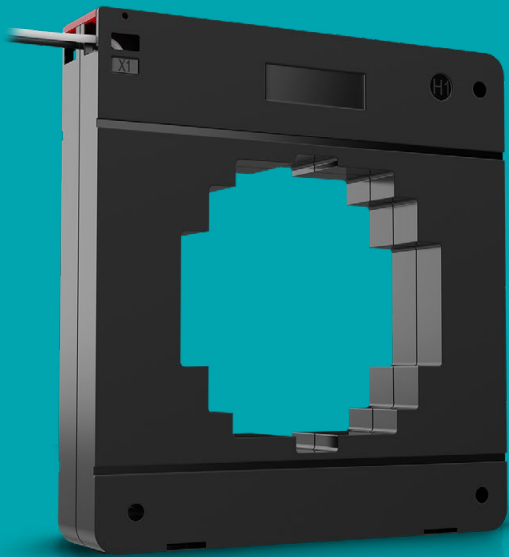


AcuCT-S433 Series

Instrument Solid-Core Current Transformer



The AcuCT 433 is used in permanent metering installations with rated outputs for 5A, 1A, or 333mV. Accuracy rating at 0.5%, it provides consistent, reliable measurements across industrial and commercial for general metering applications.

Features

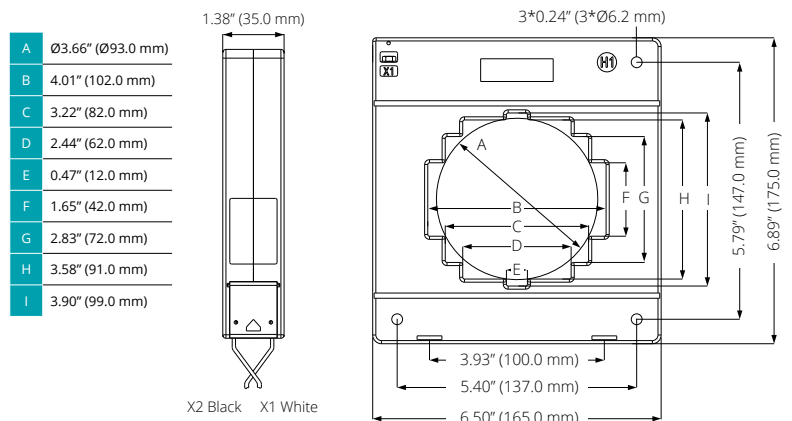
- Accuracy class: 0.5, 0.5S, 0.2 optional
- Current input options: 800A, 1000A, 1500, 2000A, 2500A, 3000A, 3500A, 4000A
- Choose from three output options: 1A, 5A, or 333mV



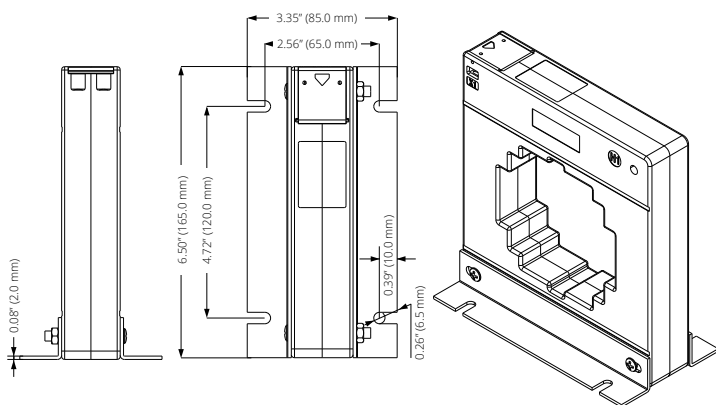
Specifications

RATED CURRENT	800A, 1000A, 1500, 2000A, 2500A, 3000A, 3500A, 4000A
Current Range	5%-120% of rated current
Output	5A, 1A, 333mV
Ratio Error	≤±0.5%
Phase Error	≤±30'
Accuracy	IEC 61869-2 0.5, 0.5S, 0.2 optional
MECHANICAL/ENVIRONMENTAL	
Form Factor	Solid-Core CT
Window Size	Ø 93.0mm (3.66")
Exterior Dimensions	165.0mm x 175.0mm x 35.0mm 6.50" x 6.89" x 1.38"
Case Material	Epoxy encapsulated housing
Lead Wires	2.5m (8ft), Twisted Pair, 16/18AWG
Operating Temperature	-25°C to 70°C / -13°F to 158°F
Storage Temperature	-40°C to 80°C / -40°F to 176°F
Operating Humidity	<90% RH
Installation Conditions	Indoor Use
ELECTRICAL	
Wire Polarity	White=Positive, Black=Negative
Phase Orientation	H1 points towards source
Frequency Range	50-400Hz
Burden	2.5-10VA
Withstand Voltage	3,000Vac
Insulation Resistance	500V/100MΩ min
SAFETY/COMPLIANCE	
Rated Voltage	600VAC, Rated CAT III
Certifications	UL, CE Pending & RoHS Compliant

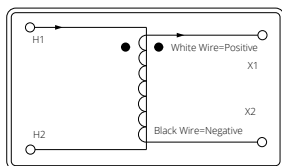
Dimensions



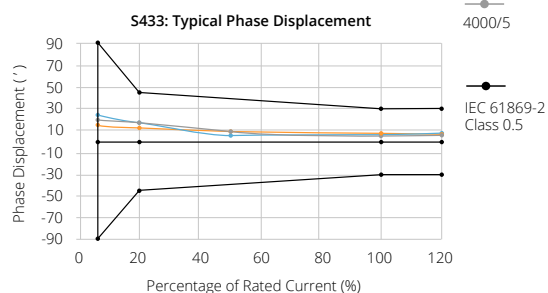
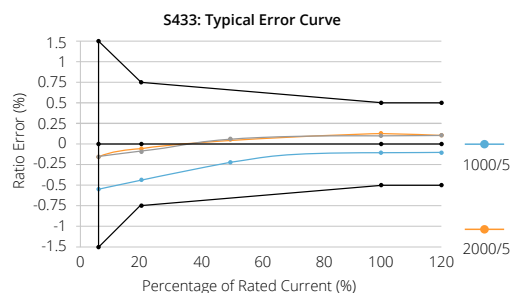
Mounting Dimension



Installation Instructions



Accuracy Class 0.5



Typical Parameter

MODEL	CURRENT RATIO	ACCURACY				LEAD LENGTH
		1.0	0.5	0.5S	0.2	
AcuCT-S433-800: 5	800/5	5VA	5VA	2.5VA		2.5M
AcuCT-S433-1000: 5	1000/5	5VA	5VA	5VA	3.75VA	2.5M
AcuCT-S433-1500: 5	1500/5	7.5VA	5VA	5VA	5VA	2.5M
AcuCT-S433-2000: 5	2000/5	10VA	7.5VA	7.5VA	5VA	2.5M
AcuCT-S433-2500: 5	2500/5	10VA	10VA	10VA	5VA	2.5M
AcuCT-S433-3000: 5	3000/5	10VA	10VA	10VA	5VA	2.5M
AcuCT-S433-3500: 5	3500/5	10VA	10VA	10VA	5VA	2.5M
AcuCT-S433-4000: 5	4000/5	10VA	10VA	10VA	5VA	2.5M
AcuCT-S433-800: 1	800/1	1.5VA	1VA	1VA		2.5M
AcuCT-S433-1000: 1	1000/1	2.5VA	1.5VA	1.5VA	1VA	2.5M
AcuCT-S433-1500: 1	1500/1	2.5VA	2.5VA	2.5VA	1.5VA	2.5M
AcuCT-S433-2000: 1	2000/1	3.75VA	2.5VA	2.5VA	1.5VA	2.5M
AcuCT-S433-2500: 1	2500/1	3.75VA	3.75VA	3.75VA	2.5VA	2.5M
AcuCT-S433-3000: 1	3000/1	5VA	5VA	5VA	3.75VA	2.5M
AcuCT-S433-3500: 1	3500/1	5VA	5VA	5VA	3.75VA	2.5M
AcuCT-S433-4000: 1	4000/1	5VA	5VA	5VA	3.75VA	2.5M

The values in the table are the additional burden values containing 2.5 meters of leads.

Ordering Information

	Model	Rated Input	Rated Output
Ordering Number	-	-	:
Ordering Example	AcuCT-S433	- 3000	: 333
		800: 800A	5: 5A
		1000: 1000A	1: 1A
		1500: 1500A	333:333mV
		2000: 2000A	
		2500: 2500A	
		3000: 3000A	
		3500: 3500A	
		4000: 4000A	



Accuenergy Inc.

Los Angeles - Toronto - Pretoria

North America Toll Free: 1-877-721-8908

Web: www.accuenergy.com

Email: marketing@accuenergy.com

Revision Date: February 2024 Version: 1.0.2

Specs Subject To Change Without Notice.