

# DC-DIN Rail Mounting Adapter

## AcuDC Series



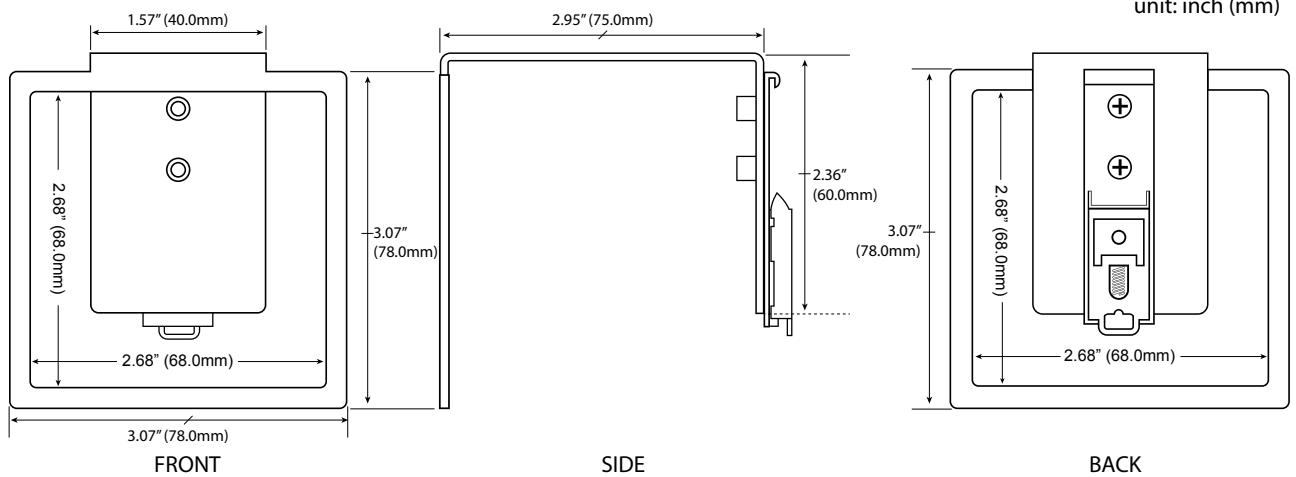
### DC-DIN Rail Adapter:

Essential for meter installation within electrical enclosures or cabinets, the DC-DIN Rail Mounting adapter connects the AcuDC Series power and energy meter to standard DIN Rail. The included mounting clip hardware is easy to install and ensures a secure fit.

### Features:

- Suitable for standard 35 mm DIN rail
- Compatible with all AcuDC meters and I/O options
- Designed to secure the meter to horizontal DIN rail
- Quick connect design: The meter simply slides into the bracket – no tools required

### Dimensions:



### Ordering Information

Model	DC-DIN
-------	--------



### Accuenergy Inc.

Los Angeles - Toronto - Pretoria  
 North America Toll Free: 1-877-721-8908  
 Web: [www.accuenergy.com](http://www.accuenergy.com)  
 Email: [marketing@accuenergy.com](mailto:marketing@accuenergy.com)

Revision: August 2023 v1.0.2

