

Test Lead & Voltage Clip

Test Lead & Voltage Clip Datasheet



Designed with a highly flexible test lead wire, it is insulated in a durable EPR case material and has a CAT IV safety rating. The voltage clip's sturdy alligator clamp provides a tight grip for secure installations.

Features

- Dual shrouded stackable banana plugs and alligator clamps
- 6.0m (19.69ft) length test lead wire
- 27.0mm (1.06") jaw opening
- 17 AWG Standardized wire gauge
- Available in five color options



Accuenergy Inc.

Los Angeles - Toronto - Pretoria
 North America Toll Free: 1-877-721-8908
 Web: www.accuenergy.com
 Email: marketing@accuenergy.com

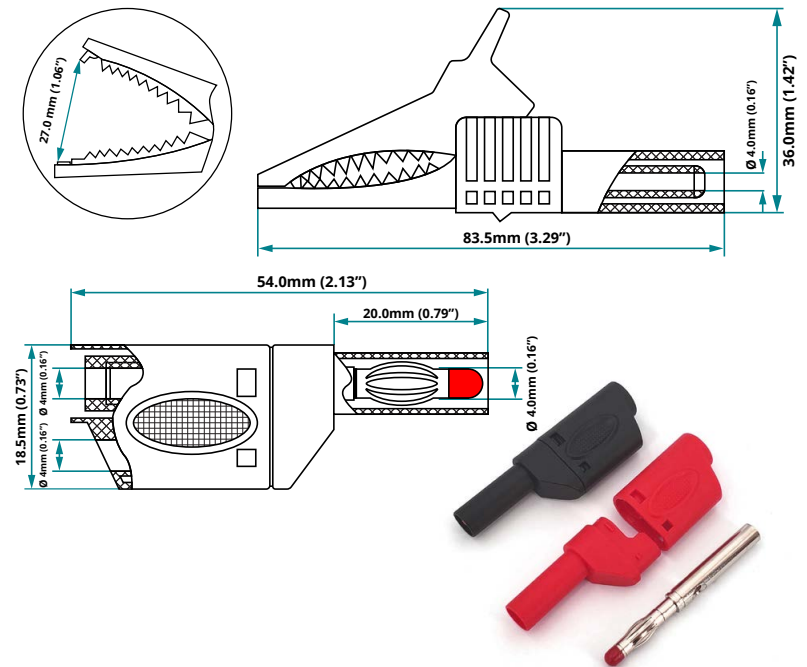
Revision Date: August 2023 Version: 1.0.1
 Specs Subject To Change Without Notice.



Specifications

| | |
|---------------------------------|--|
| RATED VOLTAGE/CURRENT | 1000V, CAT IV/32A |
| MECHANICAL/ENVIRONMENTAL | |
| Form Factor | Test lead with dual banana plugs and alligator clamps with banana plug input |
| Clamp Opening Size | 27.0 mm (1.06") |
| Test Lead Length | 6.0 m / 19.69 ft |
| Case Material | EPR |
| Lead Wires | 17 AWG |
| Available Colors | Red, Black, Blue, Green, Yellow |

Dimensions



Ordering Information

| Testing Leads | - Connector | - Type | - Color |
|---|---------------------------------------|---------------------------------------|-----------------------|
| TL: Testing Leads | L-6: 6.0m/19.69ft Testing Lead | 2IB: Two (2) Banana Insertions | RED: Red |
| | | | BLACK: Black |
| | | | BLUE: Blue |
| | | | GREEN: Green |
| | | | YELLOW: Yellow |
| Ordering Example: TL-L-6-2IB-RED | | | |

| Voltage Clips | - Type | - Color |
|--|------------------------------|-----------------------|
| TL-AC: Alligator Voltage Clips with Banana Connection | 40: 4.0mm Banana Jack | RED: Red |
| | | BLACK: Black |
| | | BLUE: Blue |
| | | GREEN: Green |
| | | YELLOW: Yellow |
| Ordering Example: TL-AC-40-BLUE | | |

Note: Please contact Accuenergy if other lead length or color are required.